

Krantz

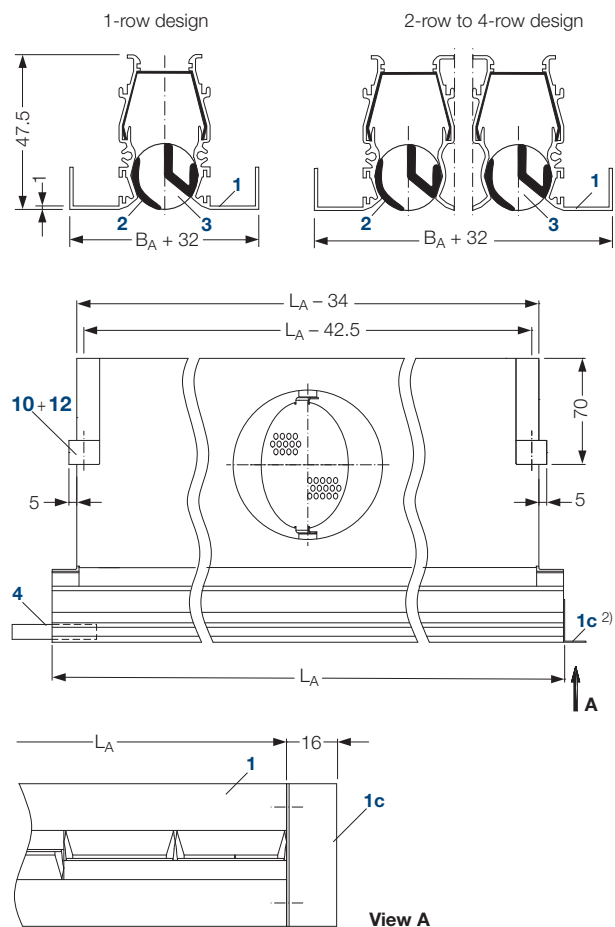
Adjustable induction outlet IN-V2....
Additional profile for ceiling panels

Air distribution systems

Krantz

Adjustable induction outlet IN-V2 – additional profile for ceiling panels

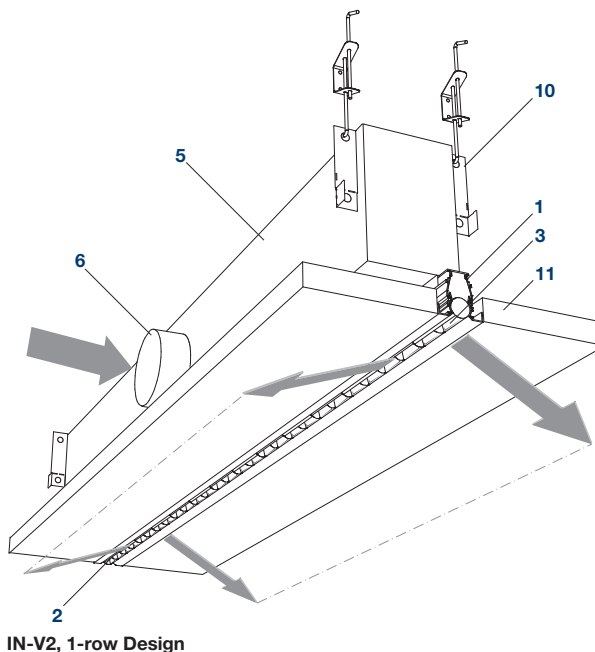
Main dimensions



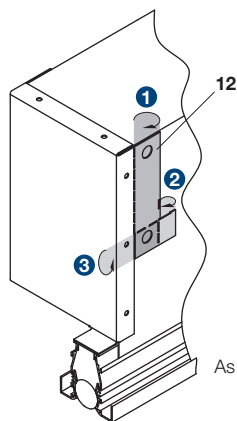
- Key**
- 1 Air outlet profile
 - 1c Endwise angle piece
 - 2 Air discharge element
 - 3 Jet channel
 - 4 Alignment piece
 - 5 Connection box
 - 6 Connection spigot

Type	Design	Length L_A ¹⁾ mm	Width B_A mm
IN-V2	1-row	1 050	28
		1 200	
		1 350	
		1 500	
	2-row	1 050	56
		1 200	
		1 350	
		1 500	
	3-row	1 050	84
		1 200	
		1 350	
		1 500	
4-row	1 050	112	
	1 200		
	1 350		
	1 500		

²⁾ Accessories: endwise angle pieces 1c for IN-V2, supplied loose, with fastening screws

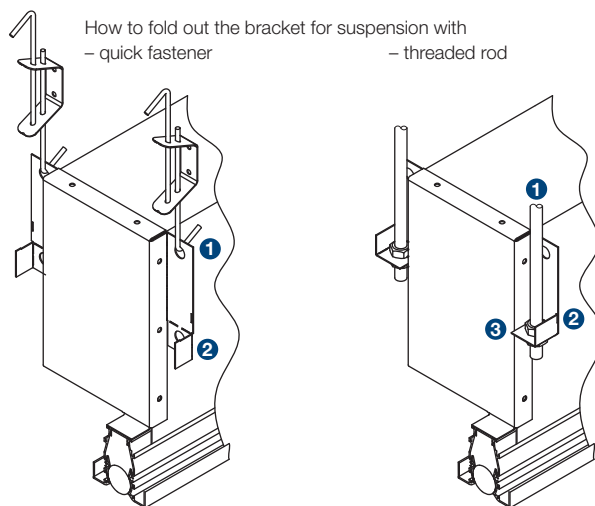


Suspension



The suspension bracket shall be folded out by hand on site.

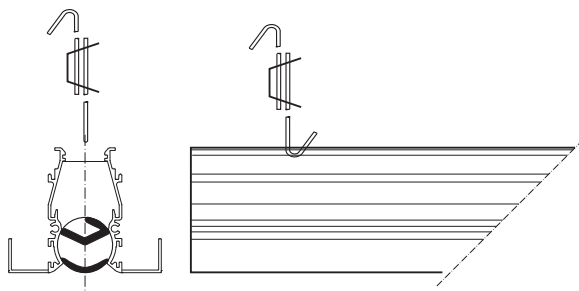
For suspension with quick fastener, proceed with 1 and 2; with threaded rod, continue with step 3.



Adjustable induction outlet IN-V2 – additional profile for ceiling panels

Blank element with standard quick fastener

(by others)



Type code

IN-V2. / _ - - - - - S - -

Induction outlet	Function / Kind	Outlet rows	Length	Connection type	Option	Damper	Insulation	Supply/Return air	Surface finish	Profile type	Colour of discharge element
------------------	-----------------	-------------	--------	-----------------	--------	--------	------------	-------------------	----------------	--------------	-----------------------------

Function / Kind

2 = IN-V2 (Element width 28 mm)

Outlet rows

1 = 1 row
2 = 2 rows
3 = 3 rows
4 = 4 rows

Length

1050 = 1 050 mm
1200 = 1 200 mm
1350 = 1 350 mm
1500 = 1 500 mm

Connection type

KO = connection box without seal at spigot
KD = connection box with seal at spigot
BO = blank element, open at the rear, for continuous lines of outlets, without connection box
BG = blank element, closed at the rear, for continuous lines of outlets, without connection box

Option

V = connection box/diffuser element assembly
M = installation of diffuser element from room
O = blank element without expansion bracket

Damper

O = no volume flow damper
R = with volume flow damper adjustable from room

Insulation

O = without acoustic lining
I = with acoustic lining

Supply/Return air

Z1 = supply air, for alternate discharge 0 – 20°
Z2 = supply air, for alternate discharge 0 – 40° (standard)
Z3 = supply air, for 1-way discharge, air flow directed to spigot site
Z4 = supply air, for 1-way discharge, air flow directed opposite to spigot site
AB = return air

Surface finish

elox = aluminium anodized in natural colour (E6EV1)
9010 = face painted to RAL 9010, semi-matt
.... = face painted to RAL

Profile type

S = Special profile for ceiling panels

Colour of discharge element

S = black similar to RAL 9005
W = white similar to RAL 9010

Subject to technical alterations.



Caverion Deutschland GmbH
Business unit Krantz

Uersfeld 24, 52072 Aachen, Germany

Phone: +49 241 441-1

Fax: +49 241 441-555

info.komponenten@krantz.de

www.krantz.de

A trademark of Caverion